

CUSTOMER PART No.

CUSTOMER

CAN ART STD.

DIE No.

ES05416

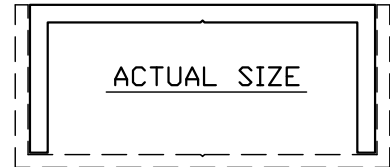
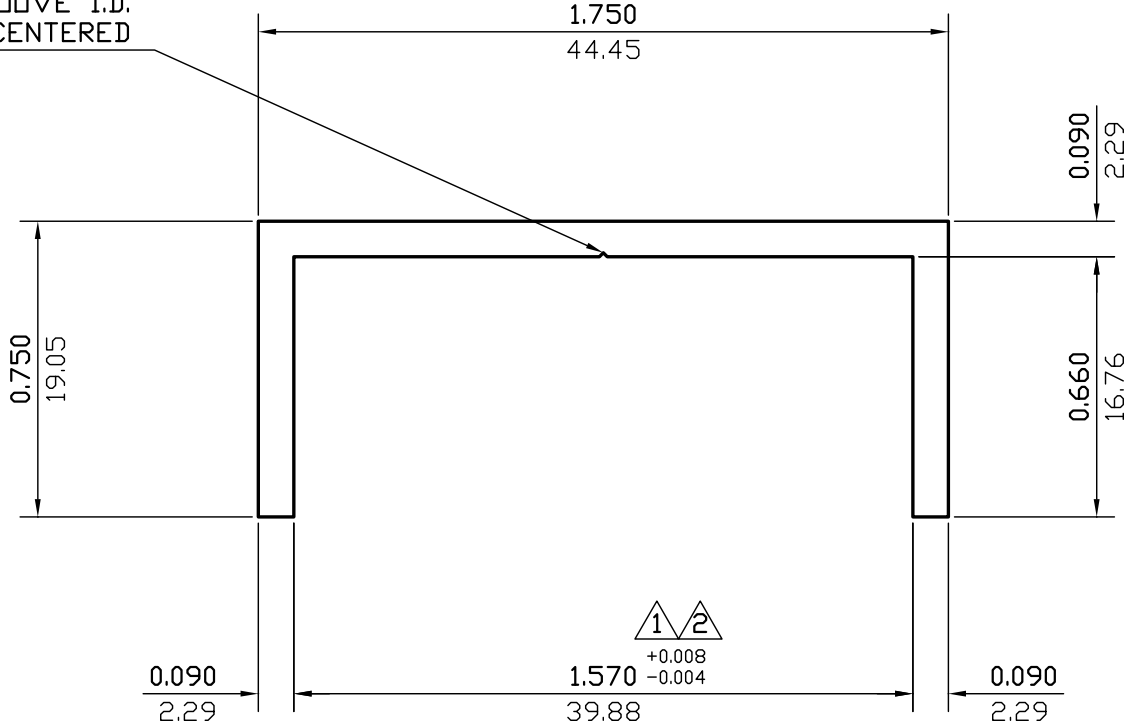
DESCRIPTION

1-3/4" x 3/4" x 0.090" THK. ANGLE

PROPOSAL No.

S-3017

0.010 DP x 90°
V-GROOVE I.D.
CENTERED



THIS SHAPE TO SLIDE FIT
w/ ES05415 (S-3017)

NOTE: BREAK ALL CORNERS WITH 0.015" (.38 MM) RADIUS UNLESS OTHERWISE NOTED. STANDARD TOLERANCES TO APPLY UNLESS OTHERWISE SPECIFIED.

WALL THICKNESS 0.090 (2.29) EXCEPT AS SHOWN

DATE	REV	DESCRIPTION	BY
03/20/23	4	REMOVED ALLOY	JASDN
08/23/99	3	REDRAWN	P.M.
EST.AREA	0.276	IN. ²	EST.AREA 178
			MM. ²
EST.WT.	0.326	LBS/FT.	EST.WT. 0.485
			KG/M.
EST.PER.	6.328	IN.	EST.PER. 160.7
			MM.
OUT PER.		IN.	OUT PER.
			MM.
C.C.D.	1.904	IN.	C.C.D. 48
			MM.
FACTOR 19	FINISH M/F	ALLOY & TEMP.	
CKD BY	SCALE 2:1	DWN BY C.P.	DATE 05/28/93

CAN ART

ALUMINUM EXTRUSION INC.

85 PARKSHORE DRIVE
BRAMPTON, ONT L6T 5M1
TEL. NO. (905) 791-1464
FAX NO. (905) 791-9151
E-MAIL: canart@canart.com

THIS DRAWING IS NOT NECESSARILY A COPY OF YOUR ORIGINAL. PLEASE APPROVE DIMENSIONS AND TOLERANCES INDICATED. CAN ART ASSUMES NO RESPONSIBILITY EITHER TECHNICAL OR LEGAL FOR HAVING THIS SHAPE MADE. THE CUSTOMER AGREES TO FULLY PROTECT CAN ART ALUMINUM FROM CLAIMS OF OTHERS RESULTING FROM THIS SHAPE.

SIGNED: _____ DATE: _____