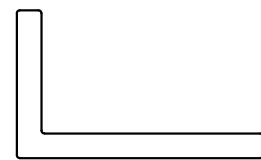
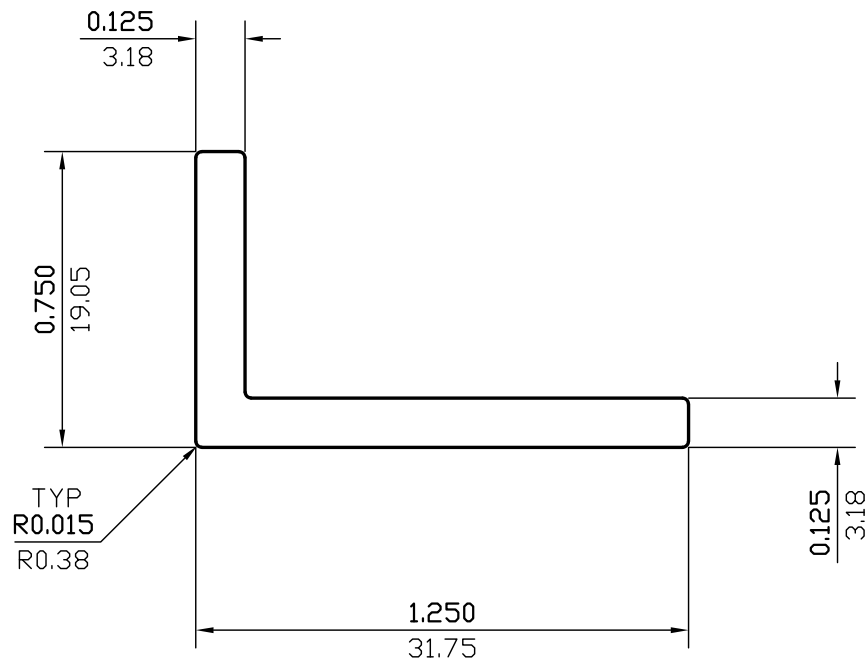


NOTE: BREAK ALL CORNERS WITH 0.015" (.38 MM) RADIUS UNLESS OTHERWISE NOTED. STANDARD TOLERANCES TO APPLY UNLESS OTHERWISE SPECIFIED.

CUSTOMER	CAN ART STD.	DIE No. ES05994	REV. No. 0
DESCRIPTION 1.250 x 0.750 x 0.125 ANGLE	CUSTOMER PART No.	QUOTE No. 11-1101-1	PROPOSAL No. S-25273



ACTUAL SIZE

WALL THICKNESS 0.125 (3.18) EXCEPT AS SHOWN

DATE	REV	DESCRIPTION	BY
03/20/23	1	REMOVED ALLOY	JASON
EST.AREA	0.234	IN. ²	EST.AREA 151.086
			MM. ²
EST.WT.	0.276	LBS/FT.	EST.WT. 0.411
			KG/M.
EST.PER.	3.961	IN.	EST.PER. 100.619
			MM.
OUT PER.		IN.	OUT PER.
			MM.
C.C.D.	1.446	IN.	C.C.D. 36.720
			MM.
FINISH	M/F		ALLOY
CKD BY	FACTOR 14	SCALE 2:1	DWN BY P.M. DATE 11/25/2011

CAN ART

ALUMINUM EXTRUSION INC.

85 PARKSHORE DRIVE
BRAMPTON, ONT L6T 5M1
TEL. NO. (905) 791-1464
FAX NO. (905) 791-9151
WEB: www.canart.com

THIS DRAWING IS NOT NECESSARILY A COPY OF YOUR ORIGINAL. PLEASE APPROVE DIMENSIONS AND TOLERANCES INDICATED. CAN ART ASSUMES NO RESPONSIBILITY EITHER TECHNICAL OR LEGAL FOR HAVING THIS SHAPE MADE. THE CUSTOMER AGREES TO FULLY PROTECT CAN ART ALUMINUM FROM CLAIMS OF OTHERS RESULTING FROM THIS SHAPE.

SIGNED: _____ DATE: _____