

CUSTOMER PART No.

CUSTOMER

CAN ART OPEN

DIE No.

ES05088

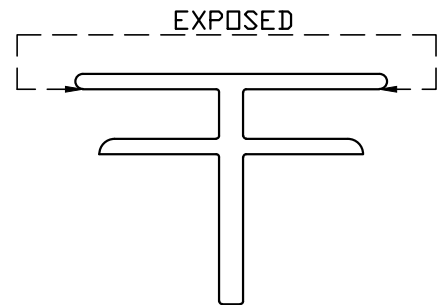
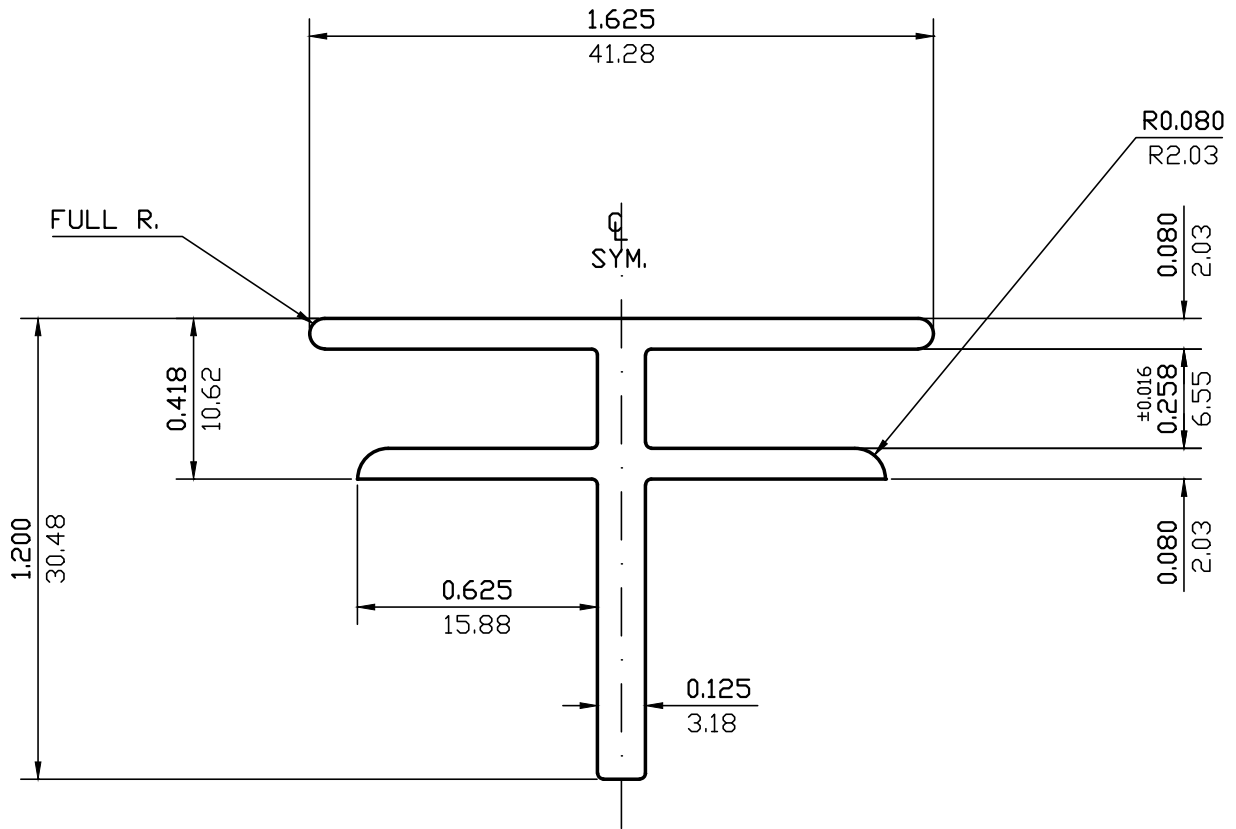
DESCRIPTION

EX-11

PROPOSAL No.

S-316

NOTE: BREAK ALL CORNERS WITH 0.015" (.38 MM) RADIUS UNLESS OTHERWISE NOTED. STANDARD TOLERANCES TO APPLY UNLESS OTHERWISE SPECIFIED.



ACTUAL SIZE

WALL THICKNESS 0.080 (2.03) EXCEPT AS SHOWN

DATE	REV	DESCRIPTION	BY
EST.AREA	0.366	IN. ²	EST.AREA 236
EST.WT.	0.432	LBS/FT.	EST.WT. 0.643
EST.PER.	7.961	IN.	EST.PER. 202.2
OUT PER.		IN.	OUT PER.
C.C.D.	1.730	IN.	C.C.D. 44
FACTOR 18	FINISH	ALLOY & TEMP. 6063	
CKD BY	SCALE 2:1	DWN BY G.M.	DATE 01/06/88

CAN ART

ALUMINUM EXTRUSION INC.

85 PARKSHORE DRIVE
BRAMPTON, ONT L6T 5M1
TEL. NO. (905) 791-1464
FAX NO. (905) 791-9151
E-MAIL: canart@canart.com

THIS DRAWING IS NOT NECESSARILY A COPY OF YOUR ORIGINAL. PLEASE APPROVE DIMENSIONS AND TOLERANCES INDICATED. CAN ART ASSUMES NO RESPONSIBILITY EITHER TECHNICAL OR LEGAL FOR HAVING THIS SHAPE MADE. THE CUSTOMER AGREES TO FULLY PROTECT CAN ART ALUMINUM FROM CLAIMS OF OTHERS RESULTING FROM THIS SHAPE.

SIGNED: _____ DATE: _____