

# CAN ART

ALUMINUM EXTRUSION INC.

CUSTOMER PART No.

CUSTOMER

## CAN ART OPEN

DIE No.

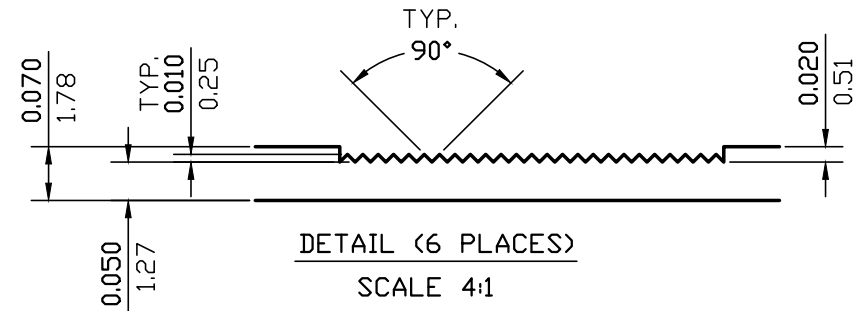
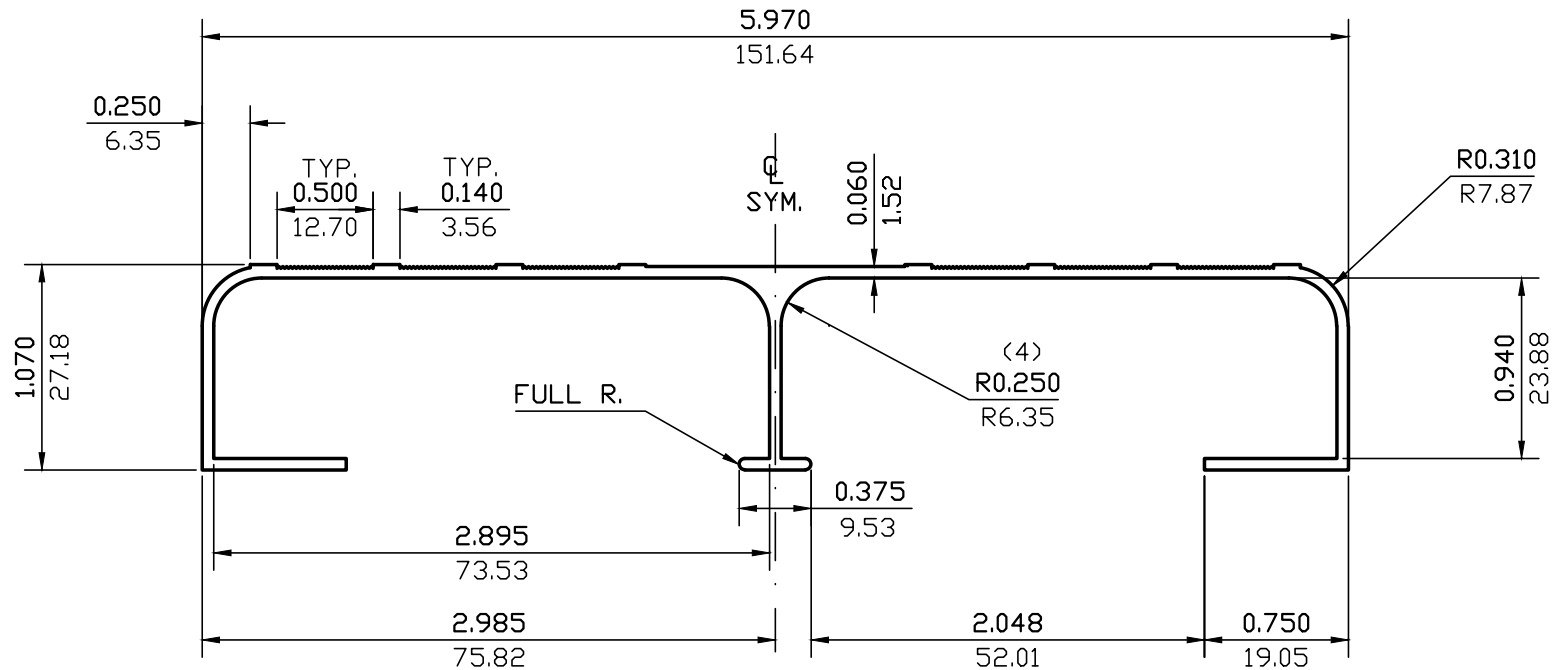
ES10531

DESCRIPTION

DOCK TREAD

PROPOSAL No.

S-8849



WALL THICKNESS 0.060 (1.52) EXCEPT AS SHOWN

DATE	REV	DESCRIPTION	BY	EST.AREA	EST.WT.	EST.PER.	OUT PER.	C.C.D.	FACTOR	FINISH	ALLOY & TEMP.	CKD BY	SCALE	DWN BY	DATE
				0.648	0.778	22.237		6.017	29	M/F	6063		1:1	P.M.	07/22/99
				in. <sup>2</sup>	LBS./FT.	IN.	IN.	IN.							
				418	1.157	564.8		153							
				mm. <sup>2</sup>	KG/M.	MM.	MM.	MM.							

THIS DRAWING IS NOT NECESSARILY A COPY OF YOUR ORIGINAL. PLEASE APPROVE DIMENSIONS AND TOLERANCES INDICATED. CAN ART ASSUMES NO RESPONSIBILITY EITHER TECHNICAL OR LEGAL FOR HAVING THIS SHAPE MADE. THE CUSTOMER AGREES TO FULLY PROTECT CAN ART ALUMINUM FROM CLAIMS OF OTHERS RESULTING FROM THIS SHAPE.

SIGNED: \_\_\_\_\_ DATE: \_\_\_\_\_

NOTE: BREAK ALL CORNERS WITH 0.015" (.38 MM) RADIUS UNLESS OTHERWISE NOTED. STANDARD TOLERANCES TO APPLY UNLESS OTHERWISE SPECIFIED.