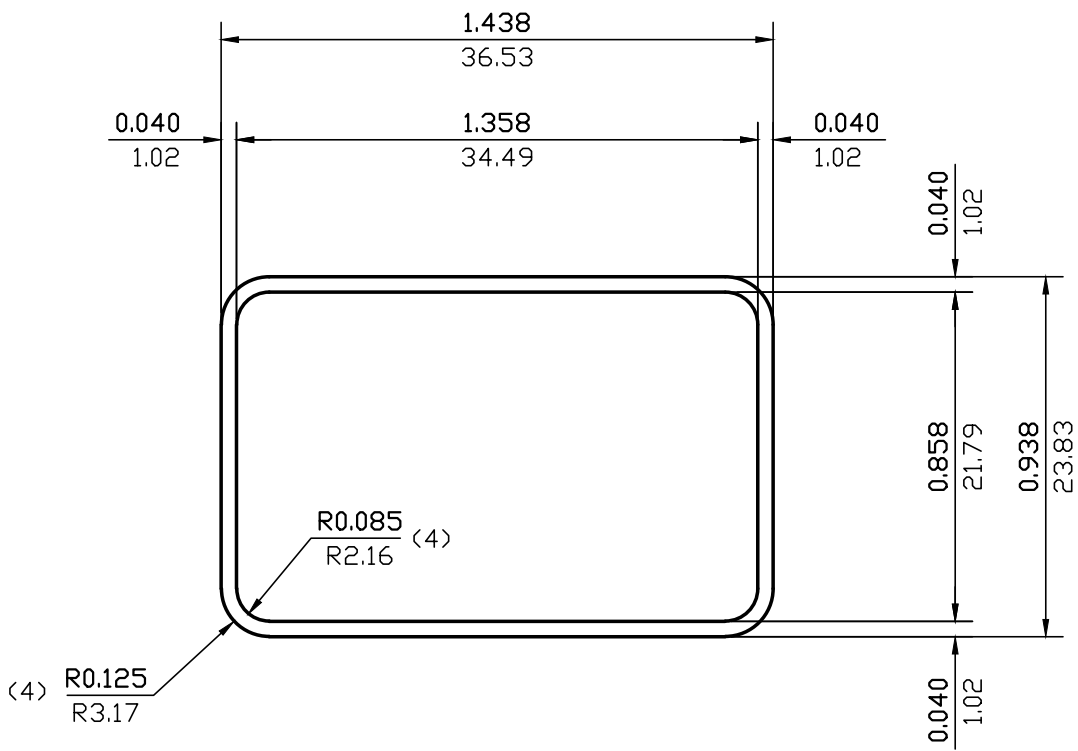


CUSTOMER PART No.	CUSTOMER	CAN ART OPEN	DIE No.
			EH60593
DESCRIPTION	1.438 x 0.938 x .040 REC.TUBE		PROPOSAL No. H-50942

NOTE: BREAK ALL CORNERS WITH 0.015" (.38 MM) RADIUS UNLESS OTHERWISE NOTED. STANDARD TOLERANCES TO APPLY UNLESS OTHERWISE SPECIFIED.



EXPOSED ALL AROUND



ACTUAL SIZE

WALL THICKNESS 0.040(1.02) EXCEPT AS SHOWN

DATE	REV	DESCRIPTION	BY
EST.AREA	0.176	IN. ²	EST.AREA 113.852
EST.WT.	0.212	LBS/FT.	EST.WT. 0.315
EST.PER.	8.823	IN.	EST.PER. 224.116
OUT PER.	4.537	IN.	OUT PER. 115.2
C.C.D.	1.616	IN.	C.C.D. 41.039
FACTOR	42	FINISH M/F	ALLOY & TEMP. 6063
CKD BY	SCALE 2:1	DWN BY L.G.	DATE 10/17/2002

CAN ART

ALUMINUM EXTRUSION INC.

428 JUTRAS DRIVE S.
WINDSOR, ONT. N8N 5C5
TEL. NO. (519) 727-4399
FAX NO. (519) 727-6434
E-MAIL: canart@canart.com

THIS DRAWING IS NOT NECESSARILY A COPY OF YOUR ORIGINAL. PLEASE APPROVE DIMENSIONS AND TOLERANCES INDICATED. CAN ART ASSUMES NO RESPONSIBILITY EITHER TECHNICAL OR LEGAL FOR HAVING THIS SHAPE MADE. THE CUSTOMER AGREES TO FULLY PROTECT CAN ART ALUMINUM FROM CLAIMS OF OTHERS RESULTING FROM THIS SHAPE.

SIGNED: _____ DATE: _____