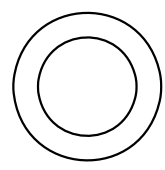
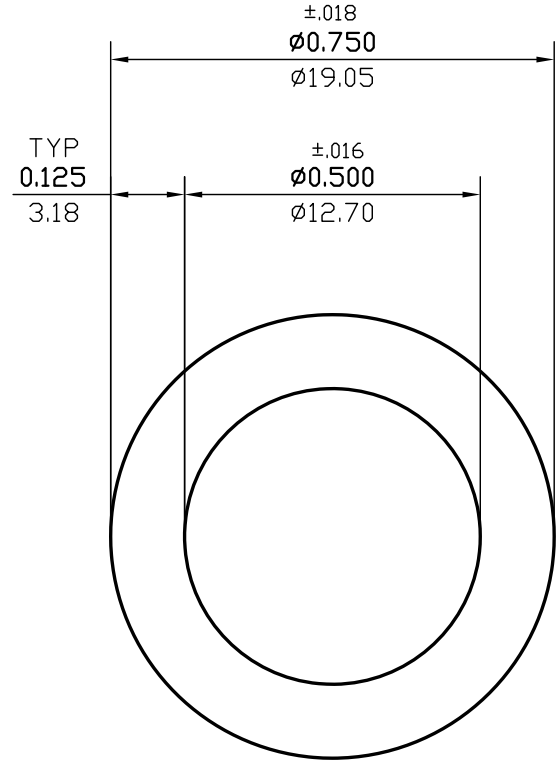


NOTE: BREAK ALL CORNERS WITH 0.015" (.38 MM) RADIUS UNLESS OTHERWISE SPECIFIED. STANDARD TOLERANCES TO APPLY UNLESS OTHERWISE SPECIFIED.

CUSTOMER <b>CAN ART STD.</b>	DIE No. <b>EH04007</b>	REV. No. <b>2</b>
DESCRIPTION <b>0.750 x 0.125 THK. ROUND TUBE</b>	CUSTOMER PART No.	PROPOSAL No. <b>H-27076</b>
	QUOTE No. <b>12-1089-1</b>	



ACTUAL SIZE

WALL THICKNESS **0.125 (3.17)** EXCEPT AS SHOWN

DATE	REV	DESCRIPTION	BY		
03/10/23	2	REMOVED ALLOY	JASON		
01/20/23	1	ADDED TOLERANCES.	PAUL		
EST.AREA	<b>0.245</b>	IN. <sup>2</sup>	EST.AREA	<b>158.347</b>	MM. <sup>2</sup>
EST.WT.	<b>0.290</b>	LBS/FT.	EST.WT.	<b>0.431</b>	KG/M.
EST.PER.	<b>3.927</b>	IN.	EST.PER.	<b>99.746</b>	MM.
OUT PER.	<b>2.356</b>	IN.	OUT PER.	<b>59.8</b>	MM.
C.C.D.	<b>0.750</b>	IN.	C.C.D.	<b>19.050</b>	MM.
FINISH	<b>M/F</b>		ALLOY		
CKD BY	FACTOR <b>14</b>	SCALE <b>3:1</b>	DWN BY <b>P.M.</b>	DATE <b>11/16/2012</b>	

# CAN ART

ALUMINUM EXTRUSION INC.

85 PARKSHORE DRIVE  
BRAMPTON, ONT L6T 5M1  
TEL. NO. (905) 791-1464  
FAX NO. (905) 791-9151  
WEB: [www.canart.com](http://www.canart.com)

THIS DRAWING IS NOT NECESSARILY A COPY OF YOUR ORIGINAL. PLEASE APPROVE DIMENSIONS AND TOLERANCES INDICATED. CAN ART ASSUMES NO RESPONSIBILITY EITHER TECHNICAL OR LEGAL FOR HAVING THIS SHAPE MADE. THE CUSTOMER AGREES TO FULLY PROTECT CAN ART ALUMINUM FROM CLAIMS OF OTHERS RESULTING FROM THIS SHAPE.

SIGNED: \_\_\_\_\_ DATE: \_\_\_\_\_