

CUSTOMER PART No.

CUSTOMER

# CAN ART OPEN

DIE No.

ES60716

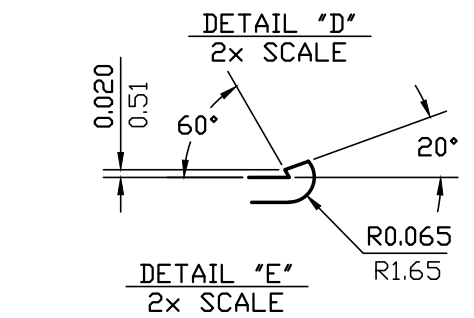
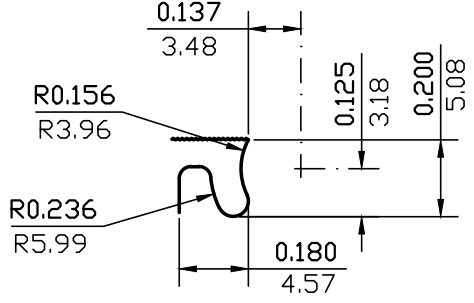
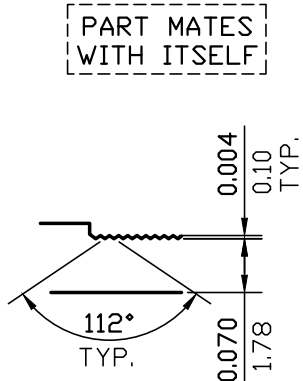
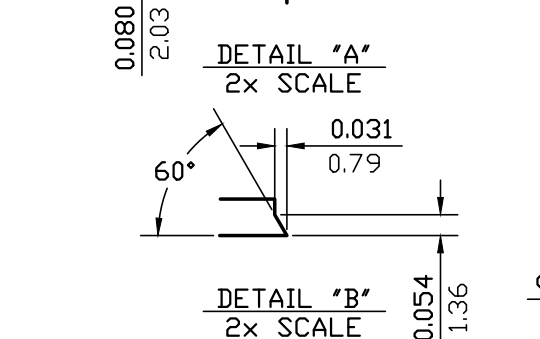
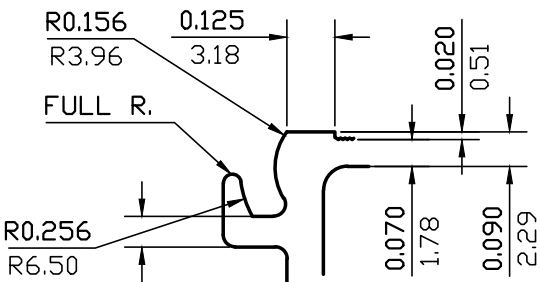
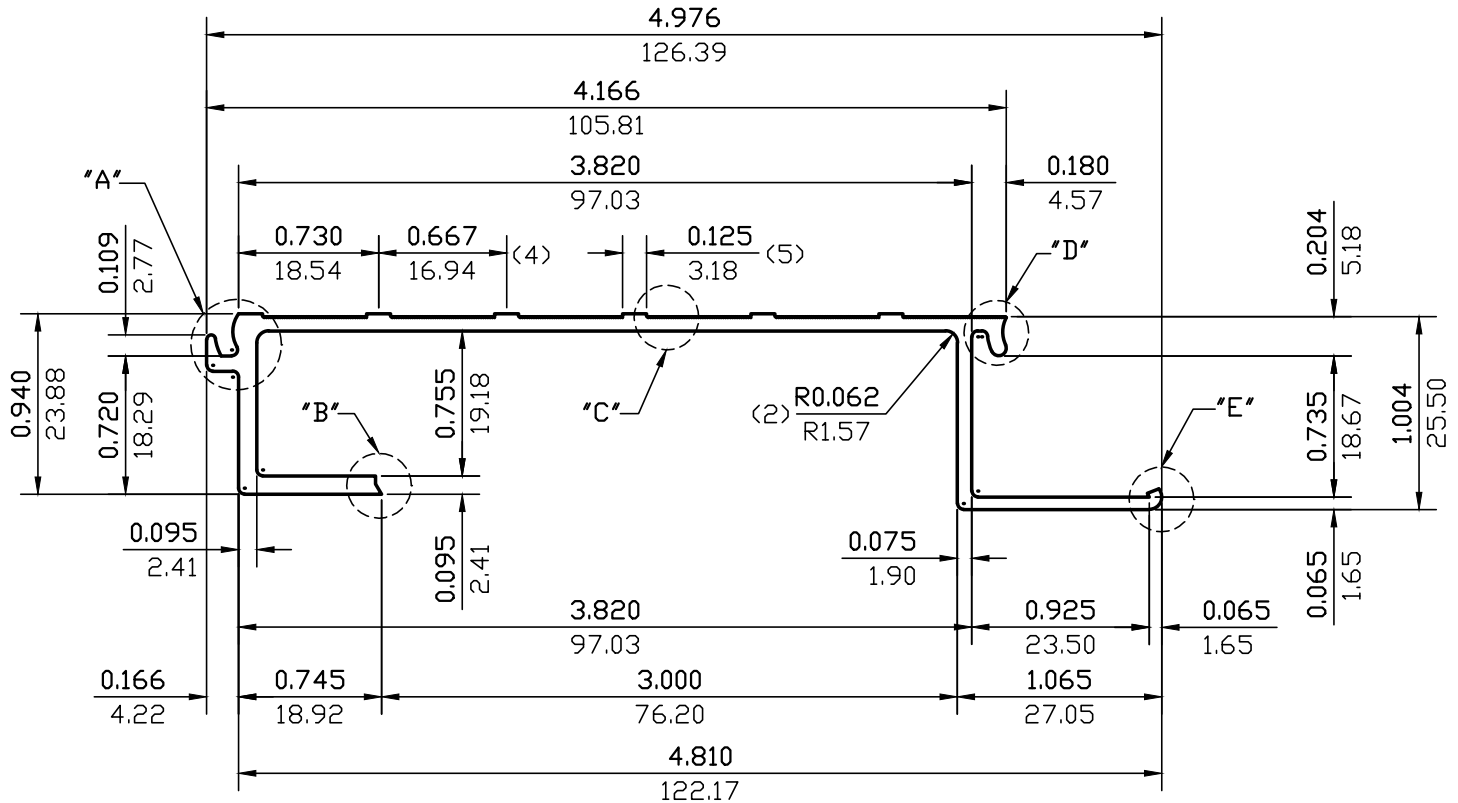
DESCRIPTION

DECK SECTION

PROPOSAL No.

S-51505

NOTE: BREAK ALL CORNERS WITH 0.015" (.38 MM) RADIUS UNLESS OTHERWISE NOTED. STANDARD TOLERANCES TO APPLY UNLESS OTHERWISE SPECIFIED.



PART MATES WITH ITSELF

( ) = R0.031(R0.79) (9)

NO EXPOSED SURFACES

WALL THICKNESS (AS SHOWN) EXCEPT AS SHOWN

DATE	REV	DESCRIPTION	BY
EST.AREA	0.612	in. <sup>2</sup>	EST.AREA 394.742
EST.WT.	0.734	LBS/FT.	EST.WT. 1.093
EST.PER.	16.433	IN.	EST.PER. 417.387
OUT PER.		IN.	OUT PER.
C.C.D.	5.042	IN.	C.C.D. 128.065
FACTOR	22	FINISH M/F	ALLOY & TEMP. 6063
CKD BY	SCALE 1:1	DWN BY L.G.	DATE 05/22/2003

## CAN ART

ALUMINUM EXTRUSION INC.

428 JUTRAS DRIVE S.  
 WINDSOR, ONT. N8N 5C5  
 TEL. NO. (519) 727-4399  
 FAX NO. (519) 727-6434  
 E-MAIL: canart@canart.com

THIS DRAWING IS NOT NECESSARILY A COPY OF YOUR ORIGINAL. PLEASE APPROVE DIMENSIONS AND TOLERANCES INDICATED. CAN ART ASSUMES NO RESPONSIBILITY EITHER TECHNICAL OR LEGAL FOR HAVING THIS SHAPE MADE. THE CUSTOMER AGREES TO FULLY PROTECT CAN ART ALUMINUM FROM CLAIMS OF OTHERS RESULTING FROM THIS SHAPE.

SIGNED: \_\_\_\_\_ DATE: \_\_\_\_\_