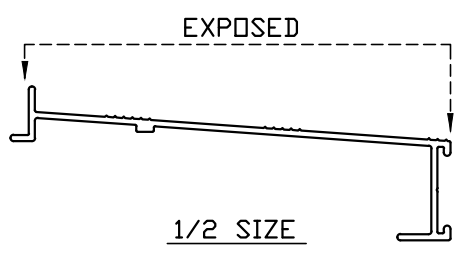
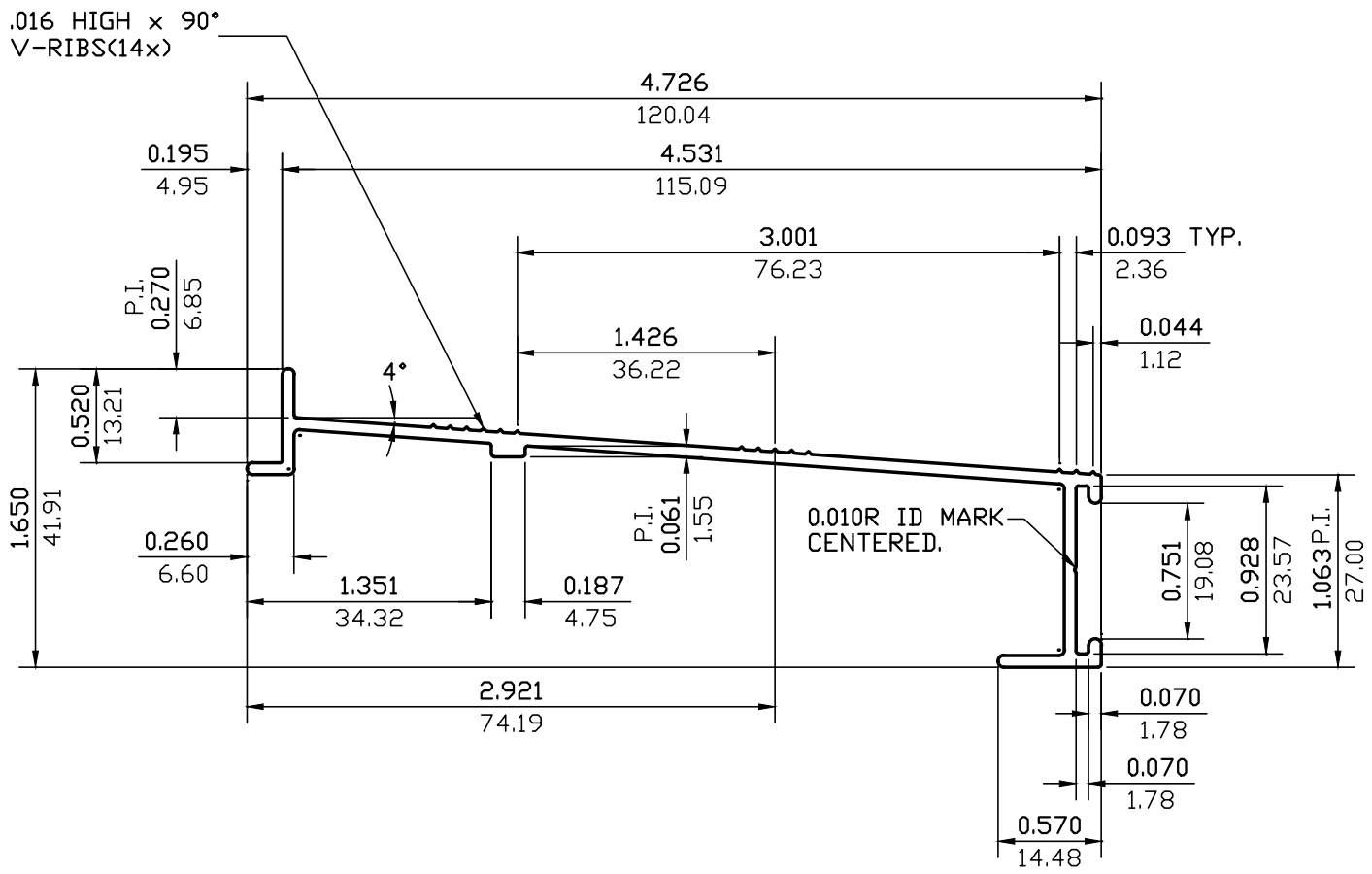


CUSTOMER <b>CAN ART OPEN</b>		DIE No. <b>ES06527</b>	REV. No. <b>4</b>
DESCRIPTION <b>6" PATIO SILL</b>	CUSTOMER PART No.	QUOTE No. <b>07-0509-1-R</b>	PROPOSAL No. <b>S-753</b>

NOTE: BREAK ALL CORNERS WITH 0.015" (.38 MM) RADIUS UNLESS OTHERWISE NOTED. STANDARD TOLERANCES TO APPLY UNLESS OTHERWISE SPECIFIED.



(·) = R0.031 (R0.79)  
UNMARKED RAD = FULL

WALL THICKNESS 0.065 (1.65) EXCEPT AS SHOWN

DATE	REV	DESCRIPTION	BY
EST.AREA	0.468	IN. <sup>2</sup>	EST.AREA 302.157
EST.WT.	0.553	LBS/FT.	EST.WT. 0.822
EST.PER.	14.076	IN.	EST.PER. 357.534
OUT PER.		IN.	OUT PER.
C.C.D.	4.848	IN.	C.C.D. 123.149
FINISH	M/F	ALLOY	6063
CKD BY	FACTOR 25	SCALE 1:1	DWN BY C.P. DATE 10/01/1998

# CAN ART

85 PARKSHORE DRIVE  
BRAMPTON, ONT L6T 5M1  
TEL. NO. (905) 791-1464  
FAX NO. (905) 791-9151  
WEB: www.canart.com

ALUMINUM EXTRUSION INC.

THIS DRAWING IS NOT NECESSARILY A COPY OF YOUR ORIGINAL. PLEASE APPROVE DIMENSIONS AND TOLERANCES INDICATED. CAN ART ASSUMES NO RESPONSIBILITY EITHER TECHNICAL OR LEGAL FOR HAVING THIS SHAPE MADE. THE CUSTOMER AGREES TO FULLY PROTECT CAN ART ALUMINUM FROM CLAIMS OF OTHERS RESULTING FROM THIS SHAPE.

SIGNED: \_\_\_\_\_ DATE: \_\_\_\_\_