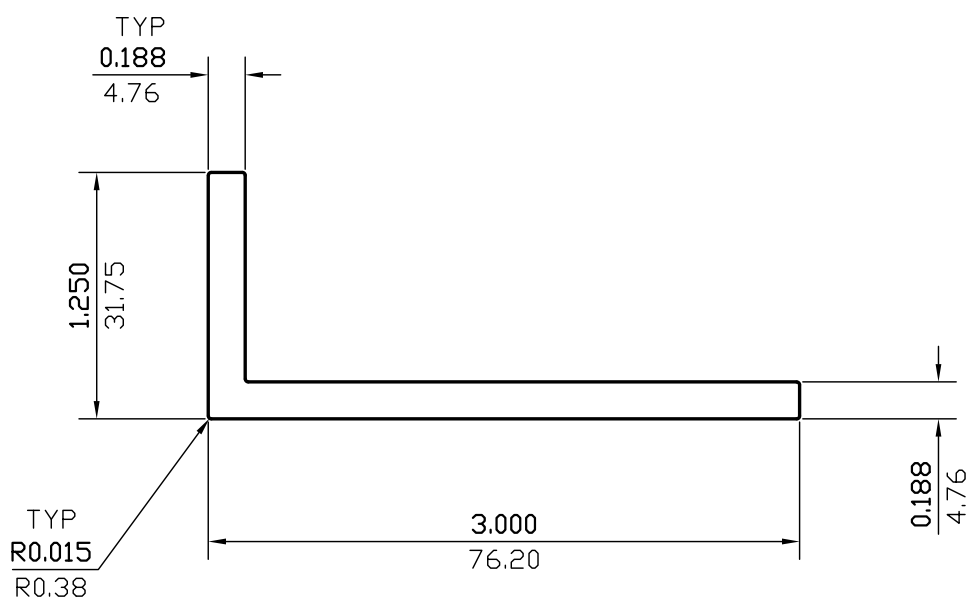


NOTE: BREAK ALL CORNERS WITH 0.015" (.38 MM) RADIUS UNLESS OTHERWISE NOTED. STANDARD TOLERANCES TO APPLY UNLESS OTHERWISE SPECIFIED.

CUSTOMER	CAN ART STD.	DIE No. <span style="font-size: 24pt;">ES05837</span>	REV. No. <span style="font-size: 24pt; font-weight: bold;">1</span>
DESCRIPTION <span style="font-size: 18pt;">3" x 1-1/4" x 3/16" ANGLE</span>	CUSTOMER PART No.	QUOTE No. <span style="font-size: 18pt;">07-0841-1</span>	PROPOSAL No. <span style="font-size: 18pt;">S-18473</span>



WALL THICKNESS 0.188 (4.76) EXCEPT AS SHOWN

DATE	REV	DESCRIPTION	BY
03/20/23	1	REMOVED ALLOY	JASON
EST.AREA	<span style="font-size: 18pt;">0.762</span>	IN. <sup>2</sup>	EST.AREA <span style="font-size: 18pt;">491.310</span> MM. <sup>2</sup>
EST.WT.	<span style="font-size: 18pt;">0.899</span>	LBS/FT.	EST.WT. <span style="font-size: 18pt;">1.337</span> KG/M.
EST.PER.	<span style="font-size: 18pt;">8.461</span>	IN.	EST.PER. <span style="font-size: 18pt;">214.919</span> MM.
OUT PER.		IN.	OUT PER. MM.
C.C.D.	<span style="font-size: 18pt;">3.239</span>	IN.	C.C.D. <span style="font-size: 18pt;">82.258</span> MM.
FINISH	<span style="font-size: 18pt;">M/F</span>		ALLOY
CKD BY	FACTOR <span style="font-size: 18pt;">9</span>	SCALE <span style="font-size: 18pt;">1:1</span>	DWN BY <span style="font-size: 18pt;">P.M.</span> DATE <span style="font-size: 18pt;">11/13/2007</span>

# CAN ART

85 PARKSHORE DRIVE  
BRAMPTON, ONT L6T 5M1  
TEL. NO. (905) 791-1464  
FAX NO. (905) 791-9151  
WEB: [www.canart.com](http://www.canart.com)

**ALUMINUM EXTRUSION INC.**

THIS DRAWING IS NOT NECESSARILY A COPY OF YOUR ORIGINAL. PLEASE APPROVE DIMENSIONS AND TOLERANCES INDICATED. CAN ART ASSUMES NO RESPONSIBILITY EITHER TECHNICAL OR LEGAL FOR HAVING THIS SHAPE MADE. THE CUSTOMER AGREES TO FULLY PROTECT CAN ART ALUMINUM FROM CLAIMS OF OTHERS RESULTING FROM THIS SHAPE.

SIGNED: \_\_\_\_\_ DATE: \_\_\_\_\_