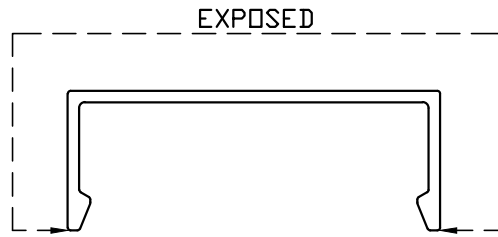
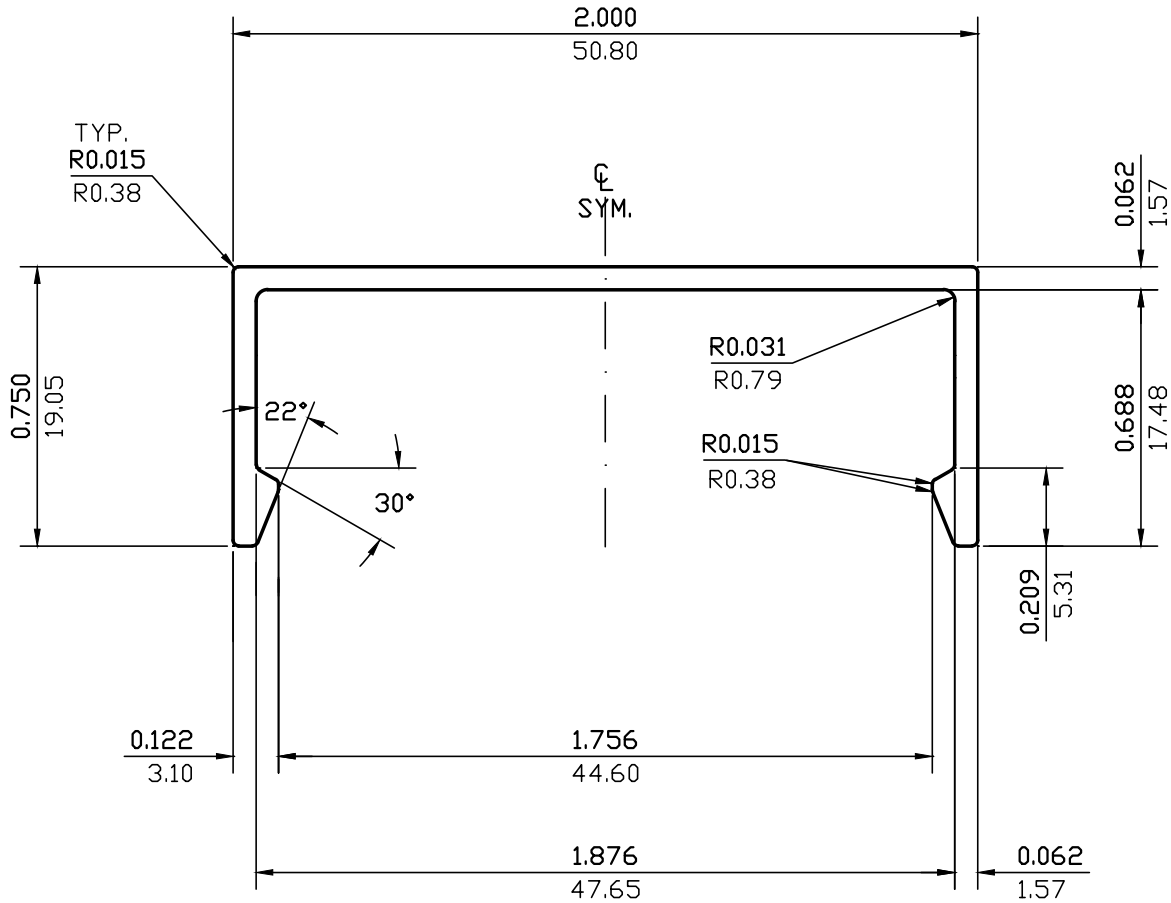


NOTE: BREAK ALL CORNERS WITH 0.015" (.38 MM) RADIUS UNLESS OTHERWISE NOTED. STANDARD TOLERANCES TO APPLY UNLESS OTHERWISE SPECIFIED.

CUSTOMER CAN ART OPEN		DIE No. ES05924	REV. No. 0
DESCRIPTION 2" CAP	CUSTOMER PART No.	QUOTE No. 09-0073-2	PROPOSAL No. S-20276



WALL THICKNESS **0.062(1.57)** EXCEPT AS SHOWN

DATE	REV	DESCRIPTION	BY
EST.AREA	0.224	IN. ²	EST.AREA 144.249 MM. ²
EST.WT.	0.264	LBS./FT.	EST.WT. 0.393 KG/M.
EST.PER.	6.905	IN.	EST.PER. 175.382 MM.
OUT PER.		IN.	OUT PER. MM.
C.C.D.	2.126	IN.	C.C.D. 53.992 MM.
FINISH	PAINT/ANODIZED		ALLOY 6063
CKD BY	FACTOR 26	SCALE 2:1	DWN BY C.P. DATE 01/27/2009

CAN ART

ALUMINUM EXTRUSION INC.

85 PARKSHORE DRIVE
BRAMPTON, ONT L6T 5M1
TEL. NO. (905) 791-1464
FAX NO. (905) 791-9151
WEB: www.canart.com

THIS DRAWING IS NOT NECESSARILY A COPY OF YOUR ORIGINAL. PLEASE APPROVE DIMENSIONS AND TOLERANCES INDICATED. CAN ART ASSUMES NO RESPONSIBILITY EITHER TECHNICAL OR LEGAL FOR HAVING THIS SHAPE MADE. THE CUSTOMER AGREES TO FULLY PROTECT CAN ART ALUMINUM FROM CLAIMS OF OTHERS RESULTING FROM THIS SHAPE.

SIGNED: _____ DATE: _____